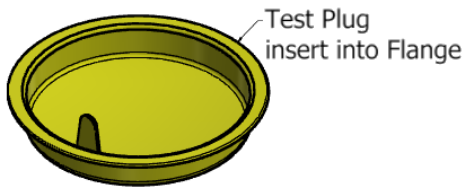
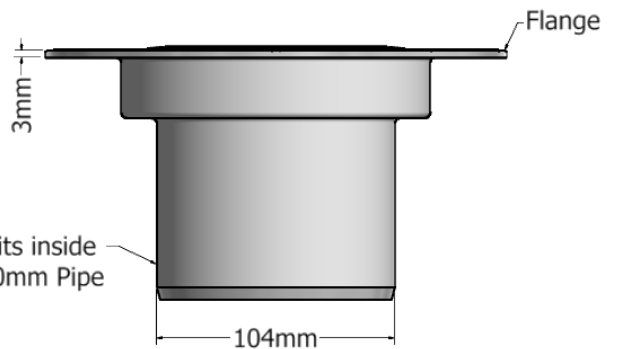
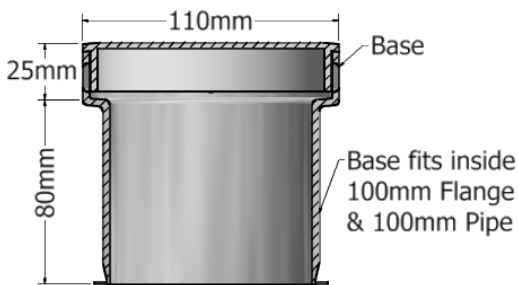
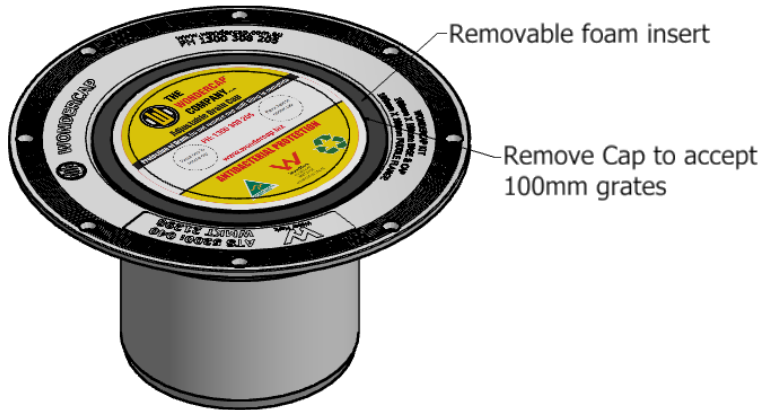




WONDERCAP

100mm KIT SPECIFICATION SHEET

100mm Flange/ 100mm Base/ 100mm Test Plug/ Cap



Connection to pipe must be primed and solvent welded.

Date: September 2021 Ref: Drawing 004	
Part:	Material:
100mm Flange	ABS Plastic
100mm Base	Polypropylene (PP)
Cap	Polypropylene (PP)
100mm Test Plug	LDPE - Innoplus LD2420T Martogg

Product Codes:	
Product:	Wondercap Code:
100mm Base & Cap	WC100
100mm Kit	WC100K
100mm Test Plug	WC100TP



WaterMark
W WMTS: 040 21298

TM & Copyright owned by Elfblend Pty Ltd



Implement the Wondercap Drainage System in your next project

For more information visit
www.wondercap.com.au