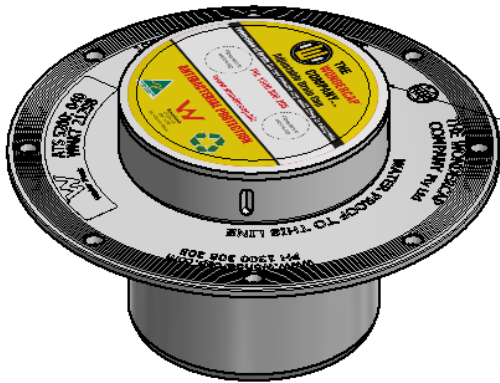




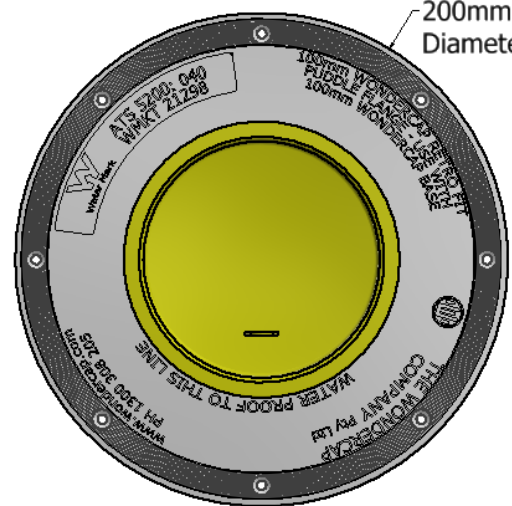
WONDERCAP

100mm RETRO KIT SPECIFICATION SHEET

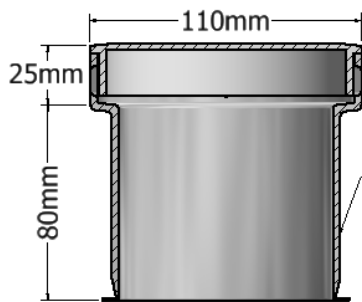
100mm Retro Flange/ 100mm Base/ 100mm Test Plug/ Cap



Remove Cap to accept 100mm grates



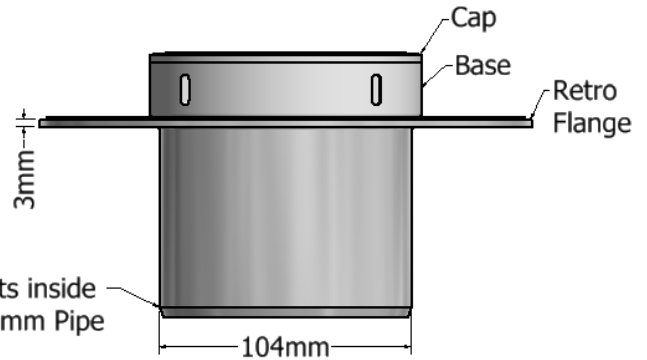
200mm Diameter



Base fits inside 100mm Retro Flange & 100mm Pipe



Test Plug insert into Retro Flange



Fits inside 100mm Pipe

Connection to pipe must be primed and solvent welded.

Date: September 2021 Ref: Drawing 004	
Part:	Material:
100mm Retro Flange	ABS Plastic
100mm Base	Polypropylene (PP)
Cap	Polypropylene (PP)
100mm Test Plug	LDPE - Innoplus LD2420T Martogg

Product Codes:	
Product:	Wondercap Code:
100mm Base & Cap	WC100
100mm Retro Kit	WC100RK
100mm Test Plug	WC100TP



WaterMark
W WMTS: 040 21298

TM & Copyright owned by Elfblend Pty Ltd



Implement the Wondercap Drainage System in your next project

For more information visit www.wondercap.com.au