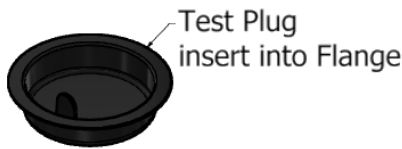
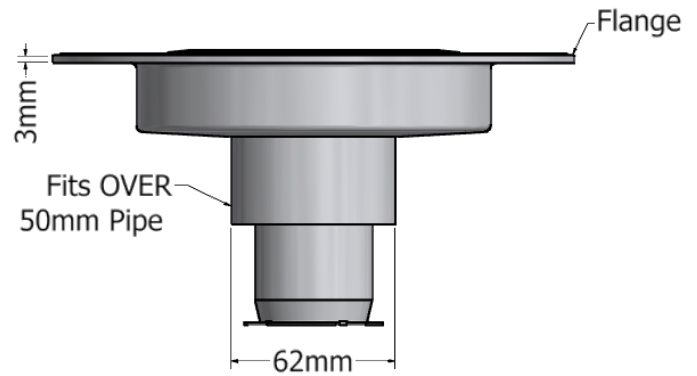
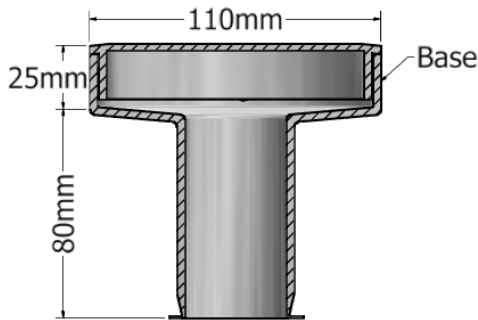
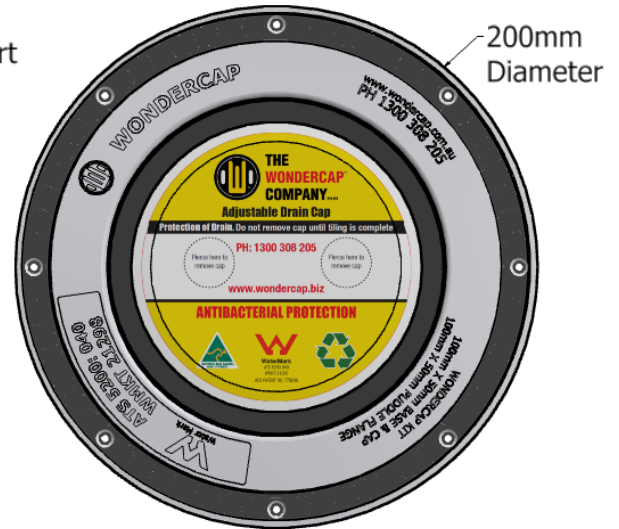
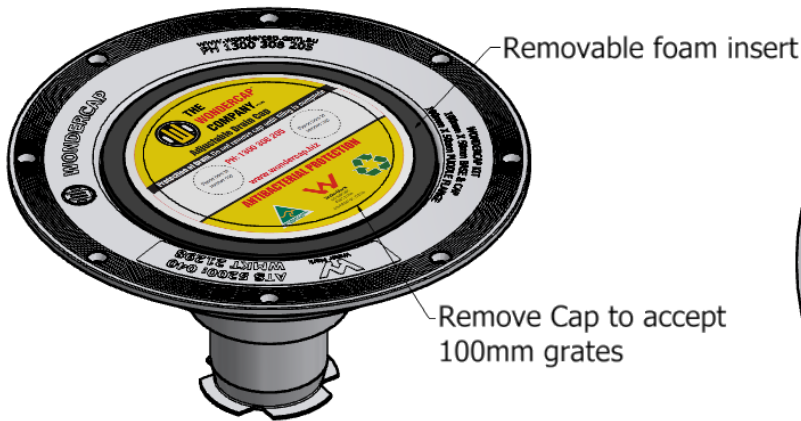




WONDERCAP

50mm KIT SPECIFICATION SHEET

50mm Flange/ 50mm Base/ 50mm Test Plug/ Cap



Connection to pipe must be primed and solvent welded.

| Date: September 2021 Ref: Drawing 004 | |
|---------------------------------------|---------------------------------|
| Part: | Material: |
| 50mm Flange | ABS Plastic |
| 50mm Base | Polypropylene (PP) |
| Cap | Polypropylene (PP) |
| 50mm Test Plug | LDPE - Innoplus LD2420T Martogg |

| Product Codes: | |
|-----------------|-----------------|
| Product: | Wondercap Code: |
| 50mm Base & Cap | WC50 |
| 50mm Kit | WC50K |
| 50mm Test Plug | WC50TP |



WaterMark
W WMTS: 040 21298
TM & Copyright owned by Elfblend Pty Ltd



Implement the Wondercap Drainage System in your next project

For more information visit
www.wondercap.com.au