



WONDERCAP

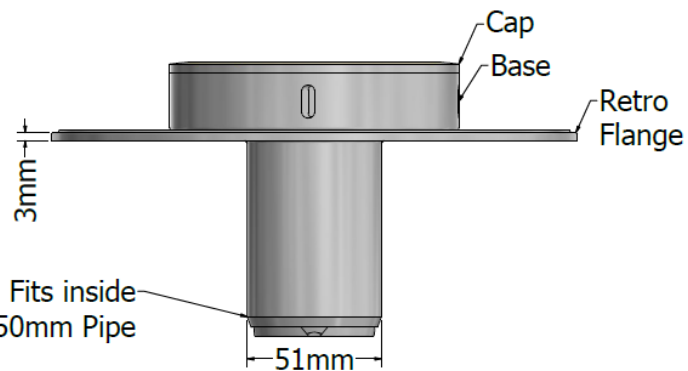
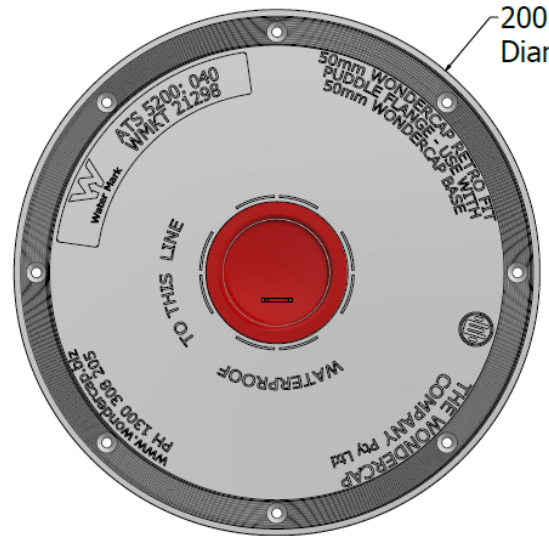
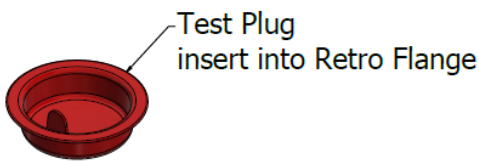
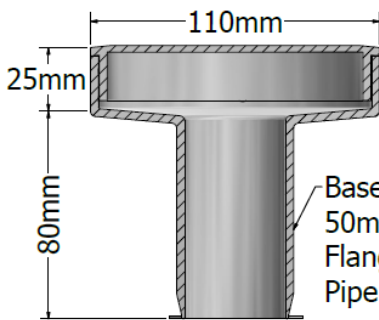


50mm RETRO KIT SPECIFICATION SHEET

50mm Retro Flange/ 50mm Base/ 50mm Retro Test Plug/ Cap



Remove Cap to accept 100mm grates



Connection to pipe must be primed and solvent welded.

Date: September 2021 Ref: Drawing 004	
Part:	Material:
50mm Retro Flange	ABS Plastic
50mm Base	Polypropylene (PP)
Cap	Polypropylene (PP)
50mm Retro Test Plug	LDPE - Innoplus LD2420T Martogg

Product Codes:	
Product:	Wondercap Code:
50mm Base & Cap	WC50
50mm Retro Kit	WC50RK
50mm Retro Test Plug	WC50TP



WaterMark
W WMTS: 040 21298

TM & Copyright owned by Elfblend Pty Ltd



Implement the Wondercap Drainage System in your next project

For more information visit
www.wondercap.com.au