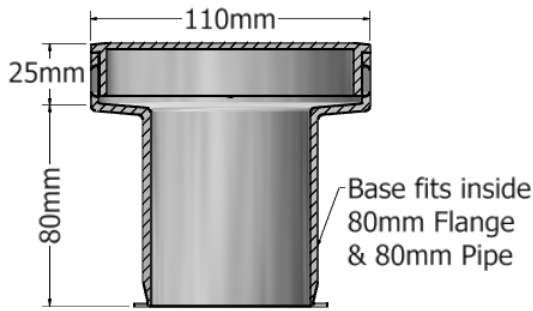
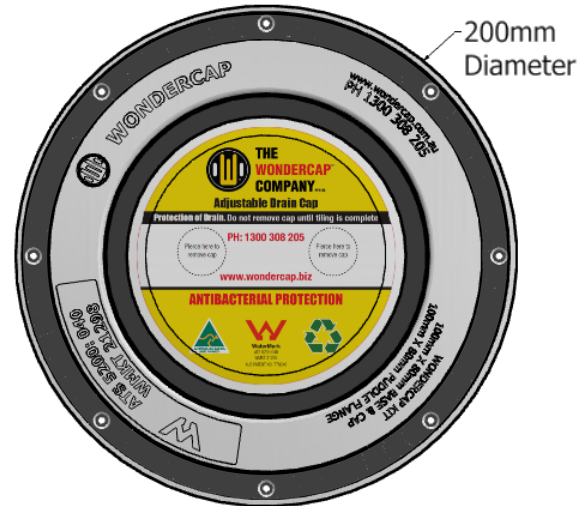
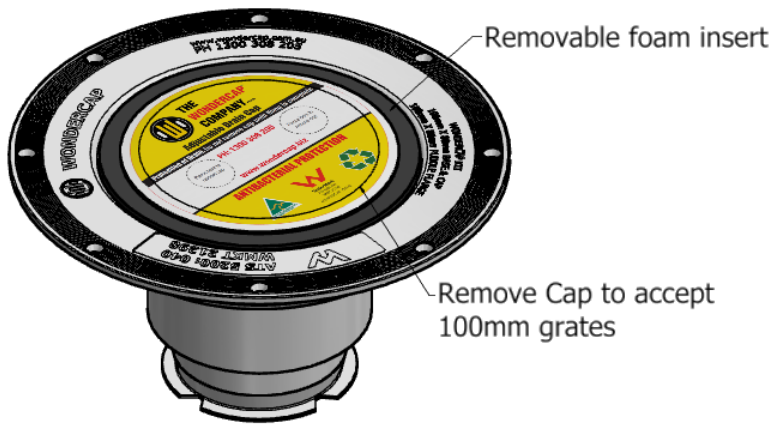




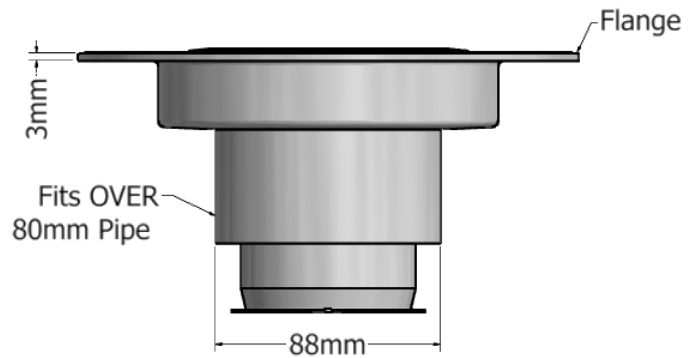
WONDERCAP

80mm KIT SPECIFICATION SHEET

80mm Flange/ 80mm Base/ Cap



Connection to pipe must be primed and solvent welded.



Date: September 2021		Ref: Drawing 004	
Part:		Material:	
80mm Flange		ABS Plastic	
80mm Base		Polypropylene (PP)	
Cap		Polypropylene (PP)	

Product Codes:	
Product:	Wondercap Code:
80mm Base & Cap	WC80
80mm Kit	WC80K



WaterMark
W WMTS: 040 21298

TM & Copyright owned by Elfblend Pty Ltd



Implement the Wondercap Drainage System in your next project

For more information visit
www.wondercap.com.au