



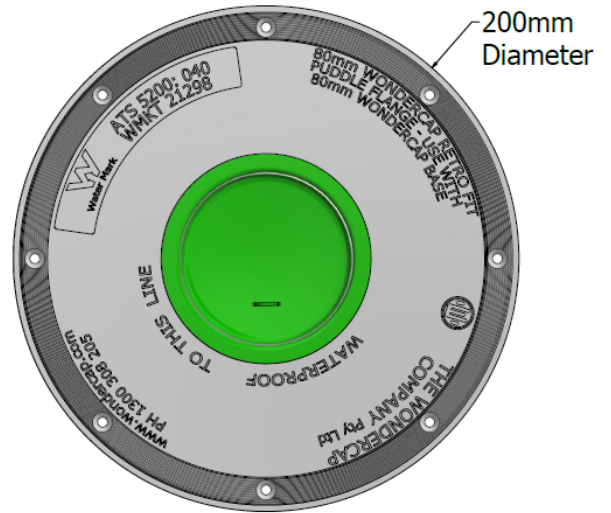
**WONDERCAP**

# 80mm RETRO KIT SPECIFICATION SHEET

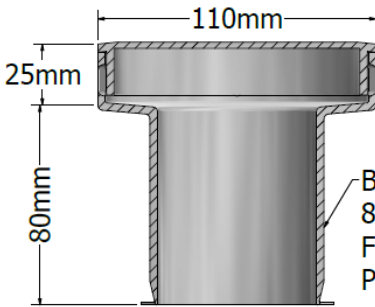
80mm Retro Flange/ 80mm Base/ 80mm Retro Test Plug/ Cap



Remove Cap to accept 100mm grates



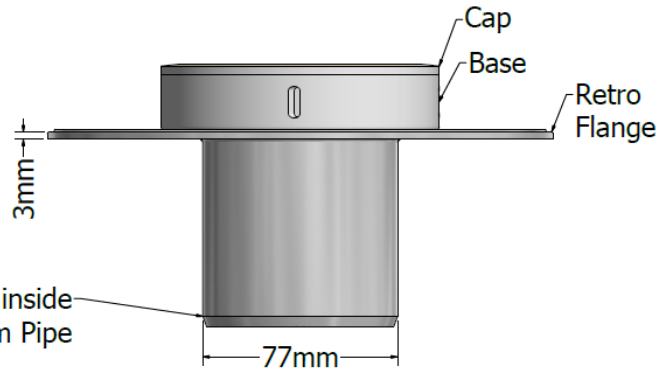
200mm Diameter



Base fits inside 80mm Retro Flange & 80mm Pipe



Test Plug insert into Retro Flange



Fits inside 80mm Pipe

Connection to pipe must be primed and solvent welded.

Date: September 2021 Ref: Drawing 004	
Part:	Material:
80mm Retro Flange	ABS Plastic
80mm Base	Polypropylene (PP)
Cap	Polypropylene (PP)
80mm Retro Test Plug	LDPE - Innoplus LD2420T Martogg

Product Codes:	
Product:	Wondercap Code:
80mm Base & Cap	WC80
80mm Retro Kit	WC80RK
80mm Retro Test Plug	WC80TP



**WaterMark**  
W WMTS: 040 21298

TM & Copyright owned by Elfblend Pty Ltd



Implement the Wondercap Drainage System in your next project

For more information visit  
[www.wondercap.com.au](http://www.wondercap.com.au)